

ASSEMBLY

FLOOR LAYING INSTRUCTIONS

AMARON FORMA

NOTE!

For one given project, we recommend using tiles from a single production batch for installation in order to eliminate any colour discrepancies. Before installation, it is absolutely necessary to check the production series whose number ("BATCH") is indicated on each package.

NOTE!

Before installation, the tiles must be carefully checked for material defects, in particular for decorative surface defects, mechanical damage to the locks, or discrepancies in colour or gloss.

The variety and frequency of the wood's structures, grains and knots, as well the presence of bleached grain or cracks is part of the pattern design and is not a defect. Installing the tiles shall be construed as acceptance of the product, and none of the above-described damage and/or discrepancies in colour or design variety may be used as grounds for a subsequent claim regarding the product.

It is advisable to sort the tiles by pattern design and by shade before laying, as well as install them in an alternating manner to achieve an even and satisfactory effect of variety on the floor surface. For the best visual effect, the tiles should always be aligned with the direction of the main light source.

Opened packs must be used immediately. (see -> preparation, section 11)

ASSEMBLY

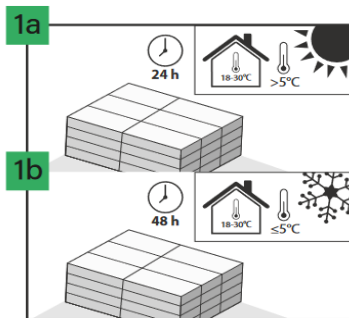


PREPARATION:

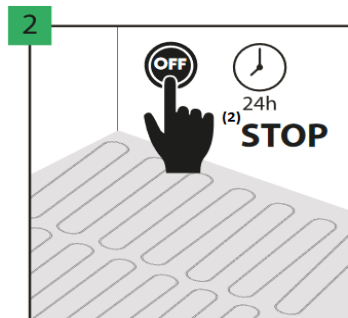
temperature: 18-30°C



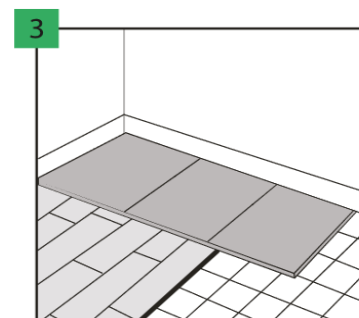
humidity: 40-65%



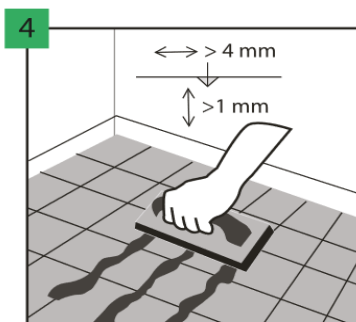
If temperatures during transportation are $>5^{\circ}\text{C}$, the acclimatisation time in a room with a temperature of 18-30°C (i.e. where they are to be installed) should be 24 hours. If temperatures during transportation are, on the other hand, $\leq 5^{\circ}\text{C}$, the acclimatisation time in a room with a temperature of 18-30°C should be 48 hours.



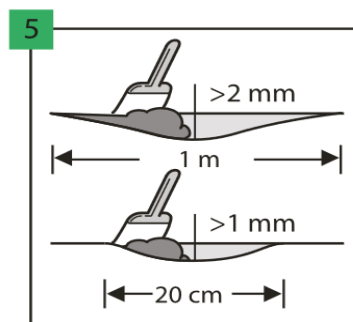
The underfloor heating should be switched off 24 hours before installation.



The type of base surface, as well as its quality and preparation, especially unevenness, have a decisive impact on the final result. The tiles are suitable for installation on cement floors, anhydrite floors, self-levelling screeds, ceramic tiles, glued parquet, glued PVC, linoleum flooring, as well as floors made of OSB or plywood with no deflection and a moisture content lower than 10%. Installation on floating floors such as layered boards or laminate tiles is acceptable, provided that an underlay with $\text{CS} = 200\text{kPa}$ and a vapour barrier with $\text{SD} > 75\text{m}$ has been properly laid underneath. The tiles may not be laid directly on carpeting or other soft floor coverings. Before installation, the base surface or floor covering must always be lined with the acoustic and levelling underlay indicated by the guarantor. Failure to lay the underlay or laying the wrong underlay will result in a loss of guarantee and a high risk of damage to the tiles themselves.



When installed on a tiled surface, tile joints with a gap wider than 4 mm and deeper than 1 mm should be filled with a durable joint filler, such as resin grout. Installation on tiles with joints up to 5 mm wide and 1 mm deep without joint levelling is permitted, provided Multiprotec Super Hardlay or Vinclit Super Solid underlay is used.



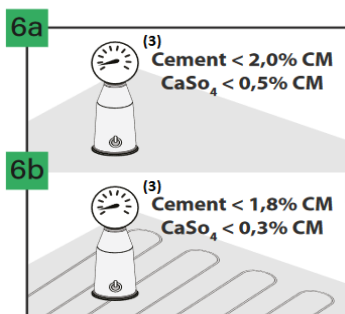
Ensure that the surface is fully flat. Any and all substrate irregularities exceeding 1 mm over a length of 20 cm or 2 mm over a length of 1 m are to be levelled.

ASSEMBLY

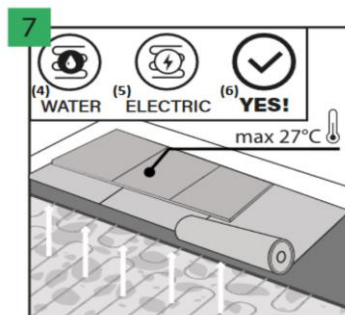
PREPARATION:

 temperature: 18-30°C

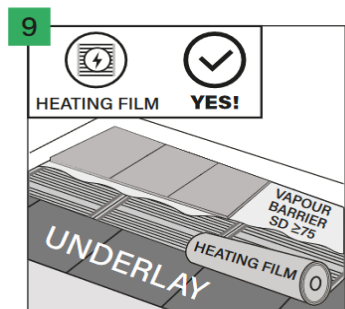
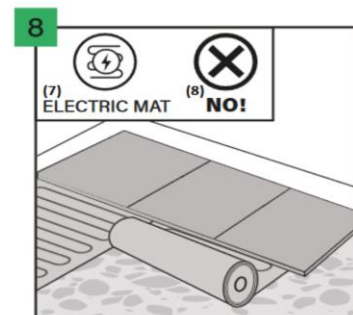
 humidity: 40-65%



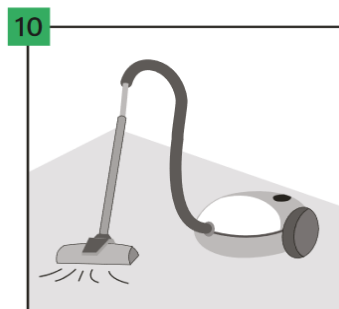
For cement screeds, the moisture content of the substrate must be lower than 2,0% and lower than 0,5% for anhydrite screed. For installation with underfloor heating, the said values must be respectively 1.8% and 0.3%.



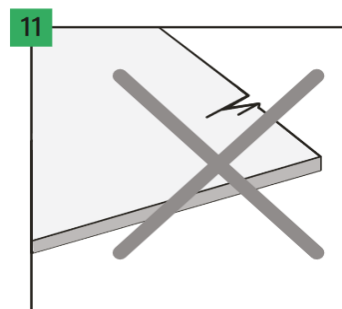
The floor tiles may be used on a surface with underfloor heating, provided that a maximum floor surface temperature of 27°C is maintained. The underfloor heating should be switched off 24 hours before installation, and once the tiles are laid, wait another 24 hours and gradually switch on the underfloor heating (5°C per day). It is permitted to install the floor over underfloor water heating or underfloor electric heating (sunk into the subfloor) guaranteeing the above indicated temperature ranges. Installation directly on an electric heating mat is not recommended.



Installation on heating film is also acceptable if that a suitable underlay is provided under the heating film, with a vapour barrier film SD ≥75 used on the heating film. The whole system is made up of a vapour barrier foil laid directly onto the substrate, then followed by a suitable underlay (400 kPa min., with a recommended underlay thickness of 5 mm), heating film, vapour barrier foil, and then flooring.



Ensure that the surface is dry, flat, stable and free of grease and chemicals. Protruding bumps are to be scraped and removed. Before installation, the surface should be thoroughly swept and vacuumed, removing all dirt. It is necessary to repair more serious surface imperfections and large cracks.



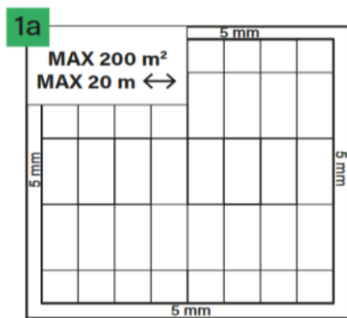
Before and during installation, all tiles are to be inspected in optimal lighting conditions. Defective tiles must not be used.

ASSEMBLY

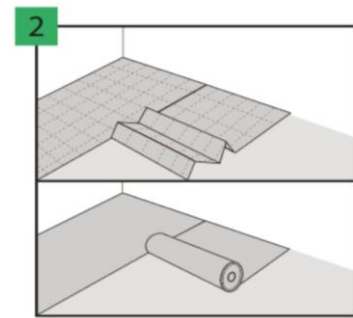
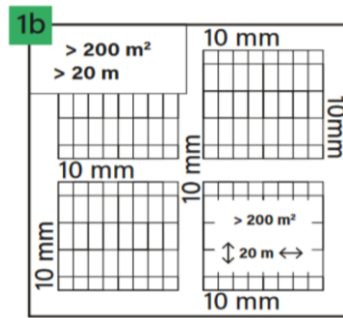
 **TILES LAYING:**
temperature: 18-30°C

 humidity: 40-65%

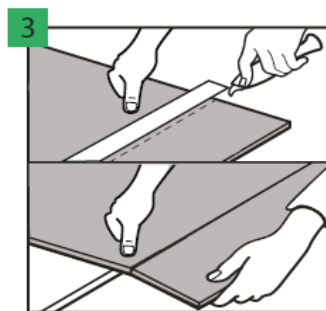
 subfloor min. 15°C



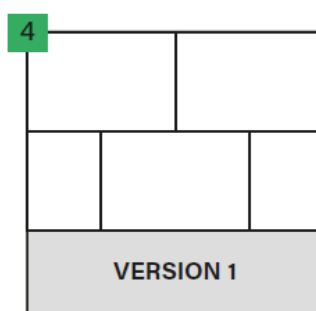
Leave 5 mm expansion joints at the walls. The maximum area that can be laid without additional expansion joints is 200 m². Above this area, an additional expansion joint should be used and all expansion joints should be increased to 10 mm. The maximum length of floor surface in one direction that may be laid without additional expansion joints is 20 m. Above this length, additional expansion joints must be used and all expansion joints must be increased to 10 mm.



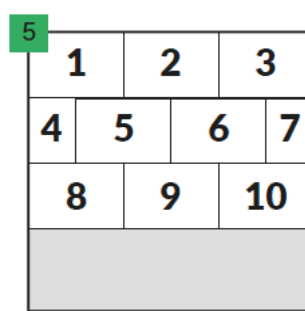
Lay the Arbiton, Ewifoam or Afirmax brand underlay perpendicular to the tiles. Adjacent strips of underlay should be joined using an overlap or Arbiton AluTape, leaving no unnecessary spaces.



For cutting the floor tiles, you should use a sharp knife, incise the top layer, then break the tile energetically by resting it against the edge. Floor tiles may also be easily cut using a buzzsaw.



Two tile-laying variants are possible:
Variant 1 - with offset
Installation described in the sections that follow.



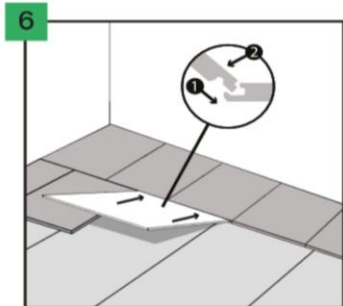
Variant 1 - with offset

Lay the first row of tiles by joining them together by the shorter edge. Afterwards, proceed with the description - sections 6 and 7.

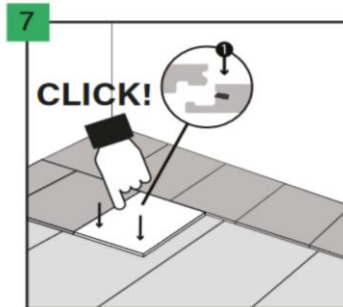
NOTE!

In the rows that follow, the offset of the transverse joints of the tiles should be 30 cm at least. Before laying the tiles, the room must be accurately measured, making sure that the outermost tile rows are not less than 10 cm wide.

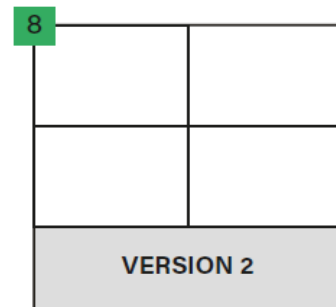
ASSEMBLY



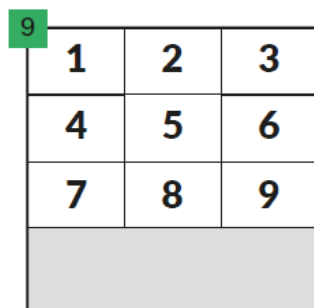
The floor tiles are equipped with connecting locks on the short and long edges. First join the long side of the tile by sliding the long side into the groove of the previously tile row. Move towards the corner, leaving a small gap.



Afterwards, lower the tile so that the lock is fastened on the short edge, gently pressing the tile with your fingers, from the corner towards yourself. The lock on the short side features a special latch that will snap into place if the tile is laid properly. NOTE! Do not use excessive force! If you experience problems lowering the tile and shutting the lock, loosen and lower the tile again.



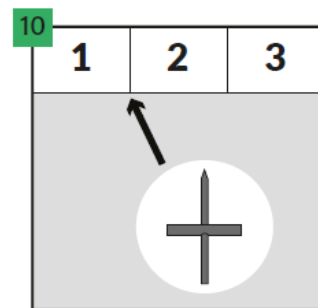
Two tile-laying variants are possible: Variant 2 - four tiles in one corner Installation described in the sections that follow.



Lay the first row of tiles by joining them together by the shorter edge. Afterwards, proceed with the description - sections 9-...

NOTE!

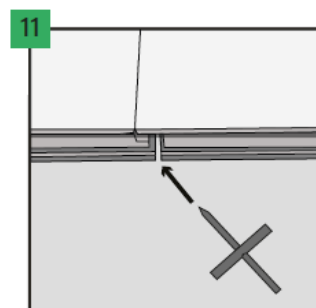
Before laying the tiles, the room must be accurately measured, making sure that the outermost tile rows are not less than 10 cm wide.



Make use of mounting crosses in order to position the tiles correctly and ensure that the tiles are in contact with one another at the corners on the entire surface.

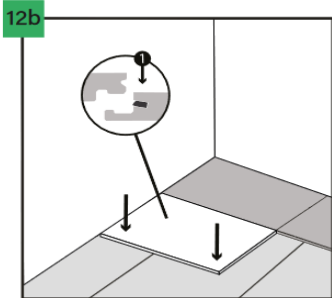
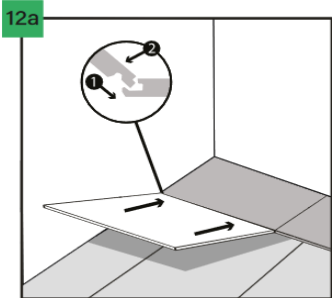
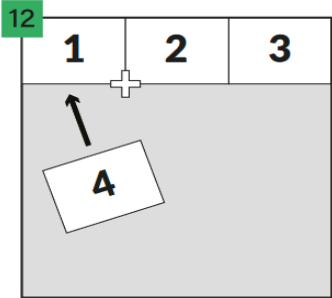
NOTE!

Not using mounting crosses for laying tiles per variant 2 shall result in the loss of warranty due to the high risk of damage to the floor locks.

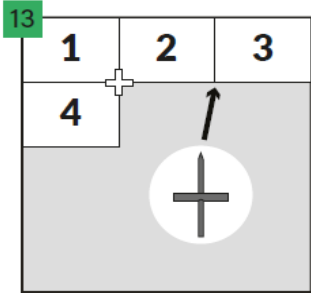


The mounting cross is to be placed in the gap between the tiles by its sharp edge and pushed in so that its side arms rest against the tile lock.

ASSEMBLY

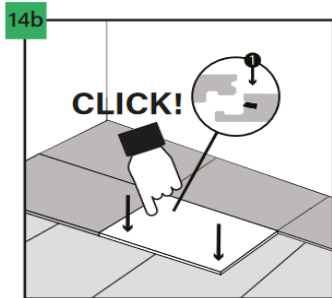
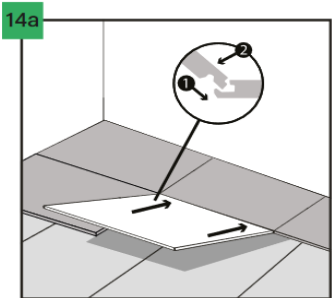
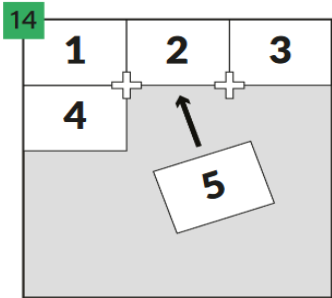


Join the long side of the tile by sliding the long side into the groove of the previously tile row. Move towards the corner, leaving a small gap. The lower the tile so as to lock the cross in the corner.

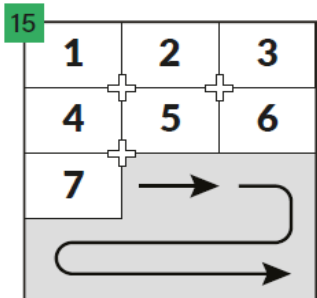


Use another cross, installing it in the next gap between the tiles.

ASSEMBLY



Join another tile by the longer edge and lower as described in sections 12a and 12b.



Install the next tiles, always laying them left to right, per the arrows shown in the drawing.

ASSEMBLY

OPENING (DISASSEMBLY):



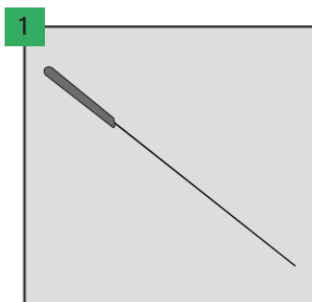
temperature: 18-30°C



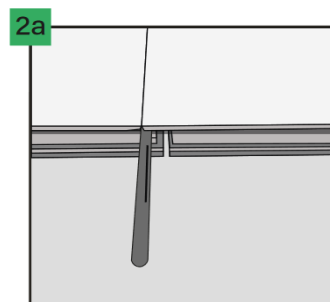
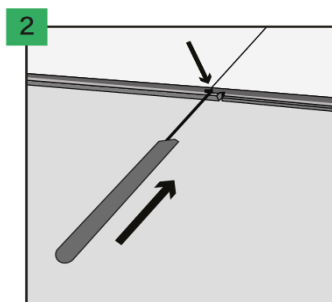
humidity: 40-65%



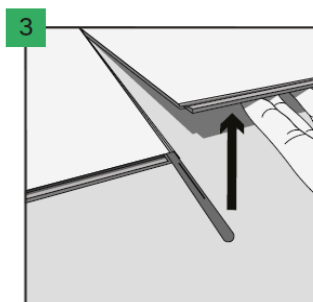
subfloor min. 15°C



In order to open the tile lock easily, use lock-opening equipment.
In order to open the locks, proceed as shown in drawings 2a, 2b, and 3.



Slide the device into the gap under the edges where the tiles connect. The device will unlock the lock's springs.



Raise the tile.

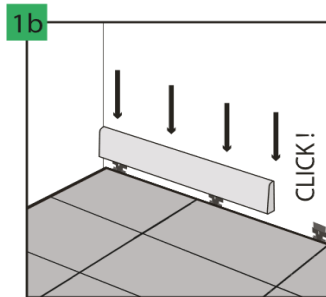
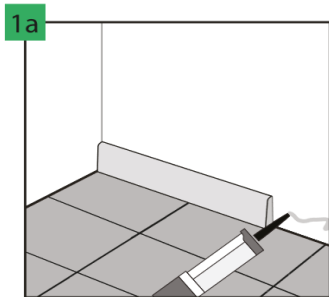
ASSEMBLY



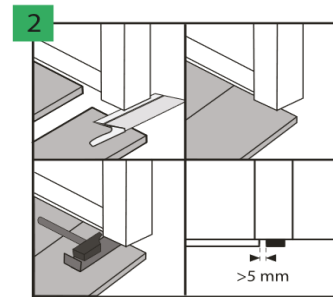
FLOOR FINISH:
temperature: 18-30°C



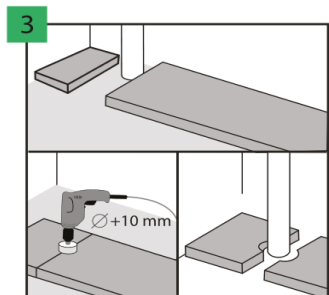
humidity: 40-65%



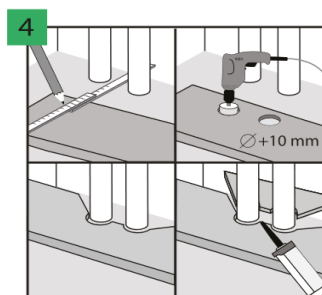
Cover the expansion joints along the walls using a decorative strip, installing it using glue or special clips. We recommend using Afirmax strips for the respective tile, which ensure an excellent colour combination and scratch-resistant coating.



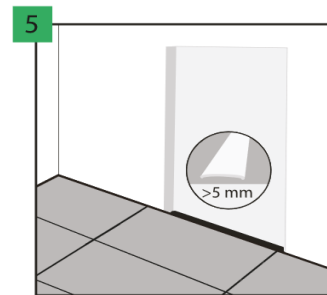
Near doors, it is advisable to cut the door frame profiles and leave free space above the tile that is to be installed so as not to restrict potential movement.



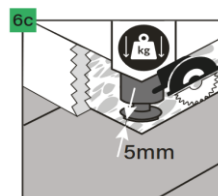
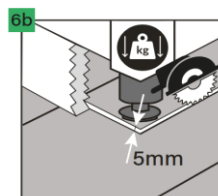
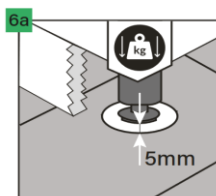
For vertical pipes embedded in the ground, there must be free space around the pipes. The holes for the pipes must be drilled using a drill with a diameter 5 mm greater than the diameter of the pipe itself.



The procedure is similar for greater numbers of heating installation pipes. Join the cut parts of the tile using an assembly adhesive for plastic parts.



Using a 5 mm expansion joint in the doorway between the rooms is recommended to compensate tension in the following cases: irregular shape of the floor surface in adjacent rooms or using underfloor heating in only one of the adjacent rooms, or if both rooms feature underfloor heating but with individual temperature controls. For areas greater than 200 m² or longer than 20 m, the expansion joints should be increased to 10 mm.



For any heavy items placed on the floor (such as kitchen units, kitchen islands, built-in wardrobes and other furniture permanently attached to the wall), leave 5 mm expansion joints around them.

We recommend the following ways of preserving expansion joints:

- 6a. Cutting a hole in the floor "for the feet" enlarged by 5 mm on each side so as to preserve the expansion joints
- 6b. Cutting the floor with a saw and making expansion joints of 5 mm each along the furniture construction
- 6c. Finish laying the floor with sufficient distance (5 mm on each side) from the heavy object

ASSEMBLY

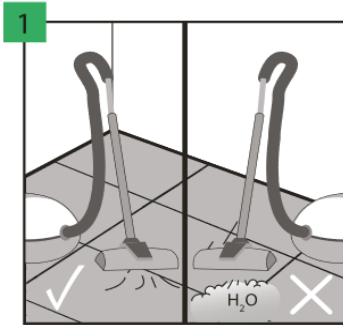
USE AND MAINTENANCE:



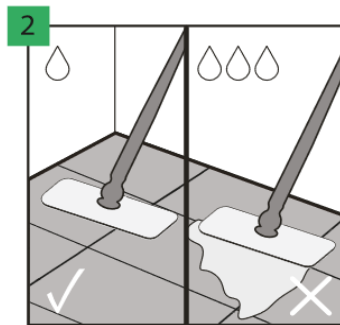
temperature: 18-30°C



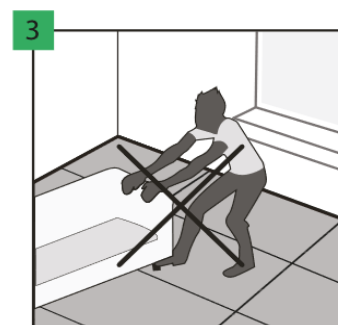
humidity: 40-65%



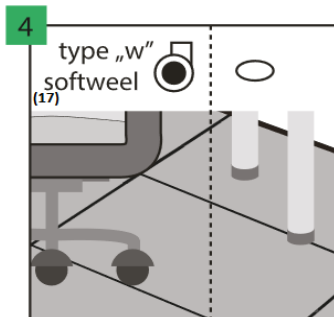
The floor may be cleaned using a vacuum cleaner, but using steam cleaners is prohibited.



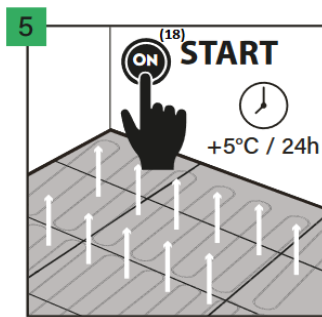
The floor may be cleaned using a wet mop.



Pushing heavy objects on the floor is prohibited. They may only be moved after being lifted.



For office chairs, use W wheels, additionally protecting the floor using a protective mat. The legs of the furniture are to be equipped with protective scratch pads, made e.g. of felt.



After laying the floor and waiting 24 hours, the underfloor heating may be switched on, keeping in mind the need to gradually increase the temperature (5°C per day). NOTE! It must be stressed that the floor's maximum surface heat is 27°C.